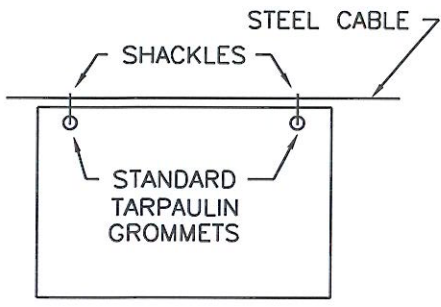
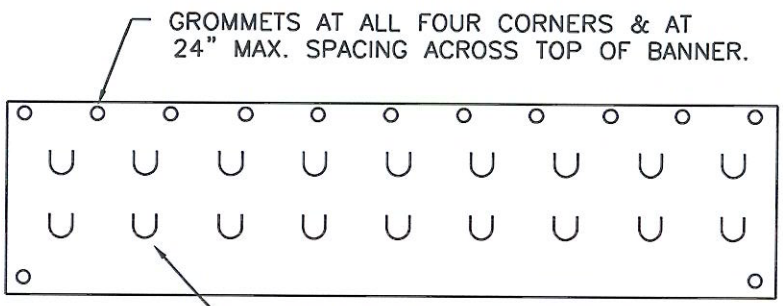


A = AREA OF FLAP IN SQ. FT.
 R = RADIUS AT HOLE IN FT.
 $A = 3.57 R^2$

TYP. VENT FLAP



DETAIL 'A'



BANNER DETAIL

NOTES:

1. MAXIMUM EFFECTIVE SURFACE AREA OF BANNER = 44 SQUARE FEET.
 (EFFECTIVE SURFACE AREAS = ACTUAL SURFACE AREA MINUS TOTAL AREA OF VENT FLAPS PROVIDED.)
2. APPLICANT IS RESPONSIBLE FOR SUPPLYING ALL ROPE, SHACKLES, ETC. AND FOR INSTALLING THE BANNER.
3. APPLICANT SHALL REQUEST A TIME PERIOD FOR DISPLAY OF THE BANNER, THROUGH THE CITY CLERK'S OFFICE FOR COUNCIL APPROVAL.
4. APPLICANT TO SUPPLY PLAN SHOWING DIMENSIONS OF BANNER, LOCATION & DIMENSIONS OF VENT FLAPS & GROMMETS FOR APPROVAL BY ENGINEERING DEPARTMENT.
5. BANNER TO BE CONSTRUCTED OF 10 OUNCE TO 12 OUNCE RATED VINYL OR OTHER STURDY MATERIAL WHICH IS RESISTANT TO TEARING & STRETCHING.
6. THE TOP AND BOTTOM EDGES AND CORNERS OF THE BANNER SHOULD BE REINFORCED WITH NYLON OR SLEEVED WITH POLYPROPYLENE ROPE RUNNING THROUGH.

L:\MISC\M384.DWG

STREET BANNER
 CONSTRUCTION & INSTALLATION



City of Abbotsford
 DRAWN 1997 01 31
 REVISED 2004 01 09

M-384